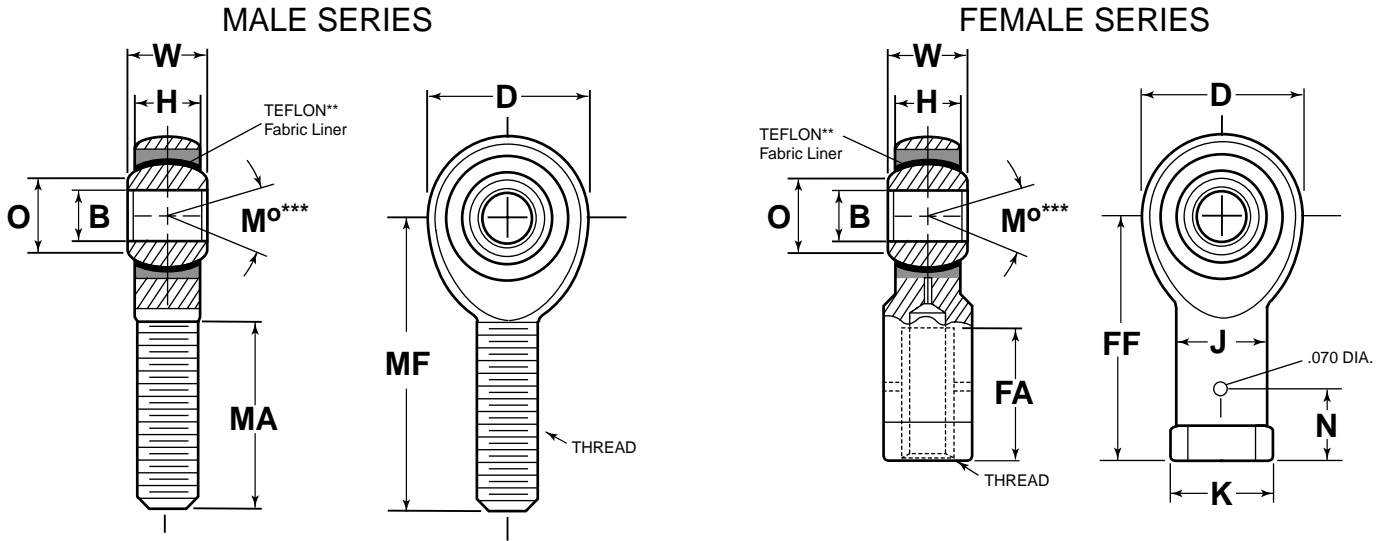


# ROD END BEARINGS/CHROME/MOLY/SELF LUBRICATING



## RM-TH / RF-TH

High Strength Precision/ \*\*Teflon Lined

RADIAL PART NO.		B	W	H	O	D	MF	FF	MA	FA	N	K	J	Ball Dia.	Thread	*** M° mis align angle	Max Static Radial Load (LBS)		Approx. Weight (LBS)	
Male	Female	+0.0015 -.0005	+0.000 -.005	±.005	(REF.)	±.010	±.010	±.010	+1/16 -1/32	+1/16 -1/32	±.020	±.010	±.010	(REF.)	CLASS UNF-3		Male	Female	Male	Female
RM-3TH	RF-3TH	.1900	.312	.250	.264	.625	1.250	1.062	.750	.562	.312	.406	.312	.406	10-32	13	2,851	3,733	.028	.038
RM-4TH	RF-4TH	.2500	.375	.281	.331	.750	1.562	1.312	1.000	.750	.312	.468	.375	.500	1/4-28	16	5,260	6,190	.043	.059
RM-5TH	RF-5TH	.3125	.437	.344	.428	.875	1.875	1.375	1.250	.750	.406	.500	.437	.610	5/16-24	14	7,639	7,639	.072	.092
RM-6TH	RF-6TH	.3750	.500	.406	.517	1.000	1.938	1.625	1.250	.937	.469	.687	.562	.718	3/8-24	12	9,544	9,544	.112	.152
RM-7TH	RF-7TH	.4375	.562	.437	.586	1.125	2.125	1.812	1.375	1.062	.531	.750	.625	.812	7/16-20	14	10,285	10,285	.160	.198
RM-8TH	RF-8TH	.5000	.625	.500	.656	1.312	2.438	2.125	1.500	1.187	.594	.875	.750	.906	1/2-20	12	16,238	16,238	.249	.320
RM-10TH	RF-10TH	.6250	.750	.562	.821	1.500	2.625	2.500	1.625	1.500	.750	1.000	.875	1.110	5/8-18	16	17,955	17,955	.382	.477
RM-12TH	RF-12TH	.7500	.875	.687	.937	1.750	2.875	2.875	1.750	1.750	.875	1.125	1.000	1.281	3/4-16	14	28,081	28,081	.602	.723
RM-14TH	-	.8750	.875	.687	.978	2.00	3.375	-	1.875	-	-	-	-	1.312	7/8-14	12	55,692	-	.906	-
* RM-16TH	RF-16TH	1.000	1.375	1.000	1.269	2.750	4.125	4.125	2.125	2.125	-	1.625	1.500	1.875	1 1/4-12	17	6,200	76,200	2.41	2.13
* RM-16TH-2	RF-16TH-2	1.000	1.375	1.000	1.269	2.750	4.125	4.125	2.125	2.125	-	1.625	1.500	1.875	1-14	17	76,200	76,200	2.13	2.41
* RM-16TH-3	RF-16TH-3	1.000	1.375	1.000	1.269	2.750	4.125	4.125	2.125	2.125	-	1.625	1.500	1.875	1-12	17	76,200	76,200	2.13	2.41

## Materials

BALL	RACE	BODY	LINER
52100 Steel Heat Treated Hard Chrome Plated	Steel Alloy Heat Treated Zinc Plated or Stainless Steel Heat Treated	Steel Alloy Heat Treated Cad or Zinc Plated	Teflon** fabric permanently bonded to Race I. D.

## Notes

1. Add letter L to prefix to indicate left hand threads.  
Example: RML-6TH, RFL-6TH
2. Temperature range: -65°F to +250°
3. Special sizes and materials can be furnished upon request.
4. Tolerances for -16: "D" +.030, "H" ±.010, "FF" -.010 & "MF" ±.020
- \*\*\*5. M° equals total included misalignment angle for clevis mounted rod end.

\*\*A trade name of E. I. Dupont de Nemours & Co.



203-744-0323 800-377-1937 Fax: 203-744-1691