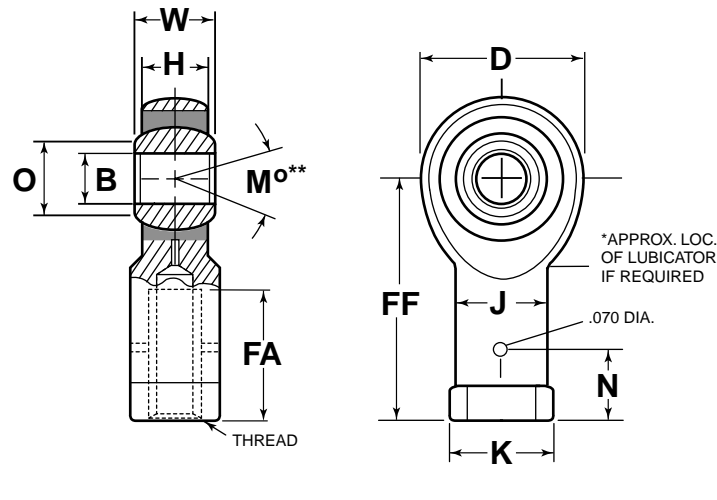
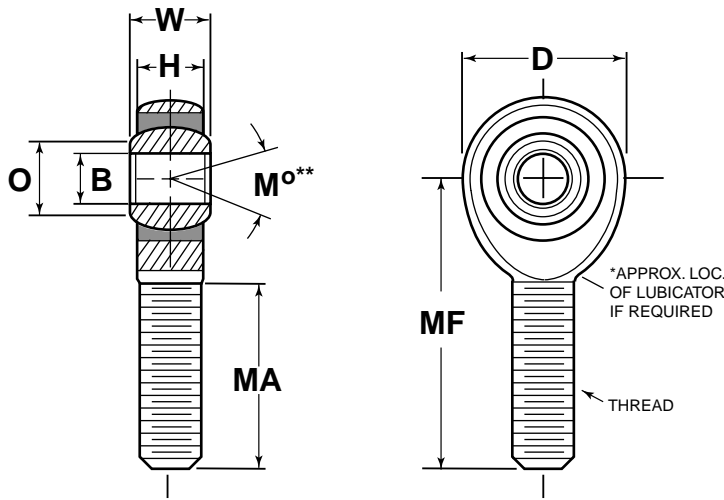


MALE SERIES

FEMALE SERIES



RM-H / RF-H

High Strength Precision

RADIAL PART NO.		B	W	H	O	D	MF	FF	MA	FA	N	K	J	Ball Dia.	Thread	** M° mis align angle	Max Static Radial Load (LBS)		Approx. Weight (LBS)	
Male	Female	+0.0015 -0.0005	+0.000 -.005	±.005	(REF.)	±.010	±.010	±.010	+1/16 -1/32	+1/16 -1/32	±.020	±.010	±.010	(REF.)	CLASS UNF-3		Male	Female	Male	Female
RM-3H	RF-3H	.1900	.312	.250	.264	.625	1.250	1.062	.750	.562	.312	.406	.312	.406	10-32	13	2,851	3,733	.028	.038
RM-4H	RF-4H	.2500	.375	.281	.331	.750	1.562	1.312	1.000	.750	.312	.468	.375	.500	1/4-28	16	5,260	6,190	.043	.059
RM-5H	RF-5H	.3125	.437	.344	.428	.875	1.875	1.375	1.250	.750	.406	.500	.437	.610	5/16-24	14	7,639	7,639	.072	.092
RM-6H	RF-6H	.3750	.500	.406	.517	1.000	1.938	1.625	1.250	.937	.469	.687	.562	.718	3/8-24	12	9,544	9,544	.112	.152
RM-7H	RF-7H	.4375	.562	.437	.586	1.125	2.125	1.812	1.375	1.062	.531	.750	.625	.812	7/16-20	14	10,285	10,285	.160	.198
RM-8H	RF-8H	.5000	.625	.500	.656	1.312	2.438	2.125	1.500	1.187	.594	.875	.750	.906	1/2-20	12	16,238	16,238	.249	.320
RM-10H	RF-10H	.6250	.750	.562	.821	1.500	2.625	2.500	1.625	1.500	.750	1.000	.875	1.110	5/8-18	16	17,955	17,955	.382	.477
RM-12H	RF-12H	.7500	.875	.687	.937	1.750	2.875	2.875	1.750	1.750	.875	1.125	1.000	1.281	3/4-16	14	28,081	28,081	.602	.723
RM-14H	-	.8750	.875	.687	.978	2.000	3.375	-	1.875	-	-	-	-	1.312	7/8-14	12	55,692	-	.906	-
* RM-16H	RF-16H	1.000	1.375	1.000	1.269	2.750	4.125	4.125	2.125	2.125	-	1.625	1.500	1.875	1 1/4-12	17	76,200	76,200	2.41	2.13
* RM-16H-2	RF-16H-2	1.000	1.375	1.000	1.269	2.750	4.125	4.125	2.125	2.125	-	1.625	1.500	1.875	1-14	17	76,200	76,200	2.13	2.41
* RM-16H-3	RF-16H-3	1.000	1.375	1.000	1.269	2.750	4.125	4.125	2.125	2.125	-	1.625	1.500	1.875	1-12	17	76,200	76,200	2.13	2.41

Materials

BALL	RACE	BODY
52100 Steel Heat Treated Hard Chrome Plated	Steel Alloy Heat Treated Zinc Plated or Stainless Steel Heat Treated	Steel Alloy Heat Treated Cad or Zinc Plated

Notes

- Add letter L to prefix to indicate left hand threads.
Example: RML-6H, RFL-6H
- Optional lubricators available on sizes 4-16 only. Add Z to suffix to indicate zerk type lubricator. Add F to suffix to indicate flush type lubricator.
Example: RM-6HZ, RF-6HZ, RM-6HF, RF-6HF.
- Load ratings do not include effect of lubricators, consult with Radial Engineering Dept. for load ratings with lubricators.
- Special sizes and materials can be furnished upon request. For aluminum-bronze races specify REM/REF.
- Tolerances for -16: D +.030, H ±.010, "FF" & "MF" ±.020
-.010
- **6. M° equals total included misalignment angle for clevis mounted rod end.

